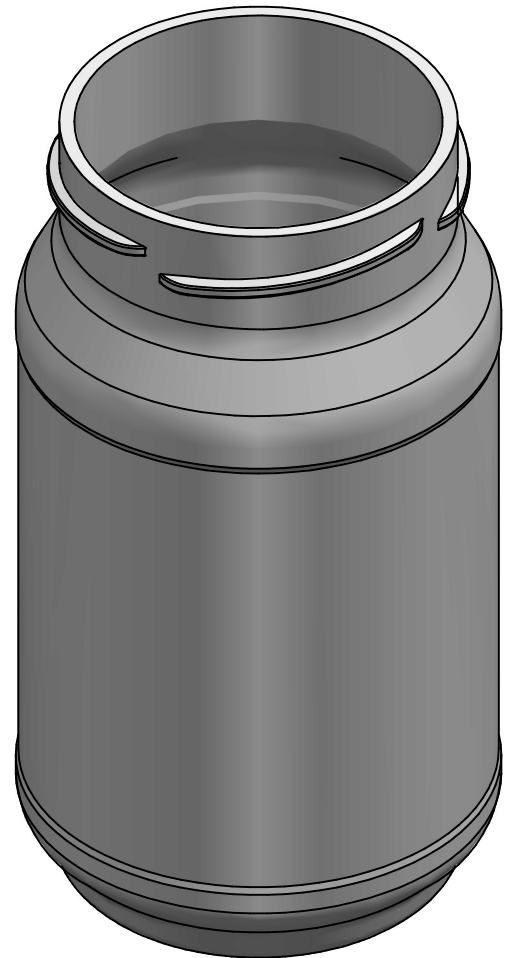
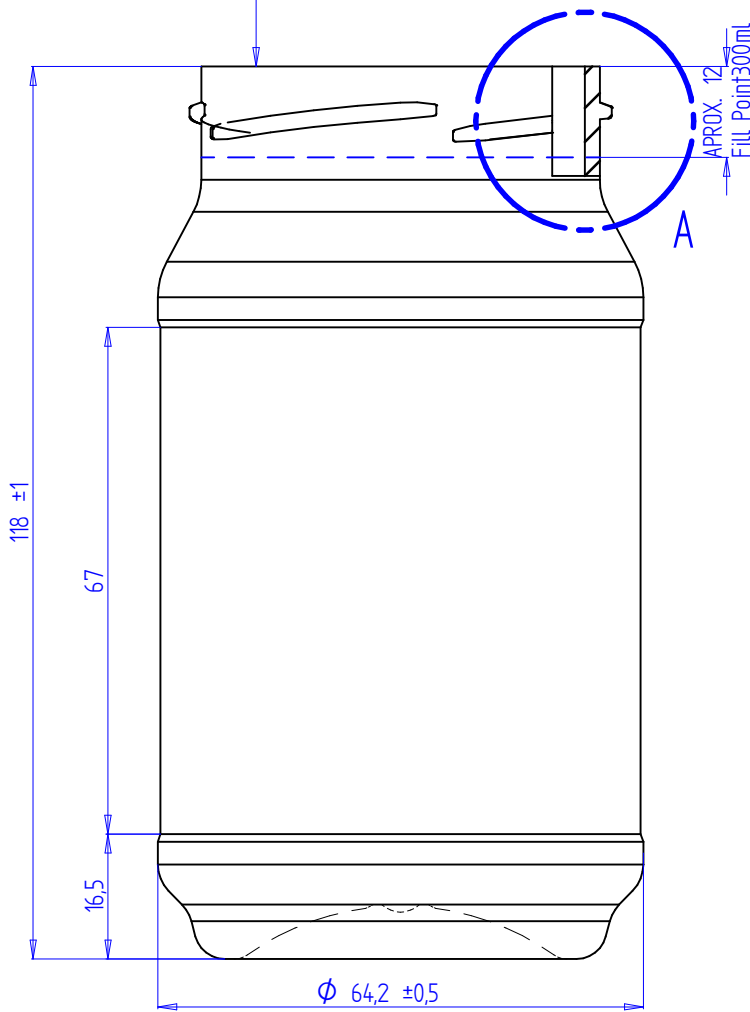

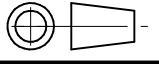


DETALLE A  
2:1

Brimful 320±9ml



V1	Modify shoulder	30/06/2020	*				
Index	Modification	Date	Name	Index	Modification	Date	Name
	Name	Date					
Designed	SERGIO GIRONES	16/06/2020					
Approved	JOSE A. GONZALEZ	16/06/2020					
Scale:		A 4					
1:1		Sheet 1 of 1					
Material :		PET		Title:	<b>BOTELLA 300ML CANELA</b>		
General Tolerance ± 0,2mm		Weight: 25±1g.		Ref. Plane:	<b>2000747</b>		